

Key Features

- Support GPS L1/L2, GLONASS L1/L2 and BDS B1/B2 bands.
- High stability and high repeatability at phase center.
- Antenna with high gain can has a superior tracking performance at low elevation angle.
- Very low noise figure.
- Superposition of phase center and geometrical center.
- U.FL coaxial 50 Ohm termination.
- Ultra light weight :7g.

OEM Helix Antenna HX-CH6015A

HX-CH6015A operates across GPS L1/L2、GLONASS L1/L2 and BDS B1/B2 bands. It has super compact with high precision capability, adopting multi feed design to ensure the superposition of phase center and geometrical center, and minimize the influence measurement error. In addition, high gain and wide beam width ensure the signal receiving performance of satellite at low elevation angle.

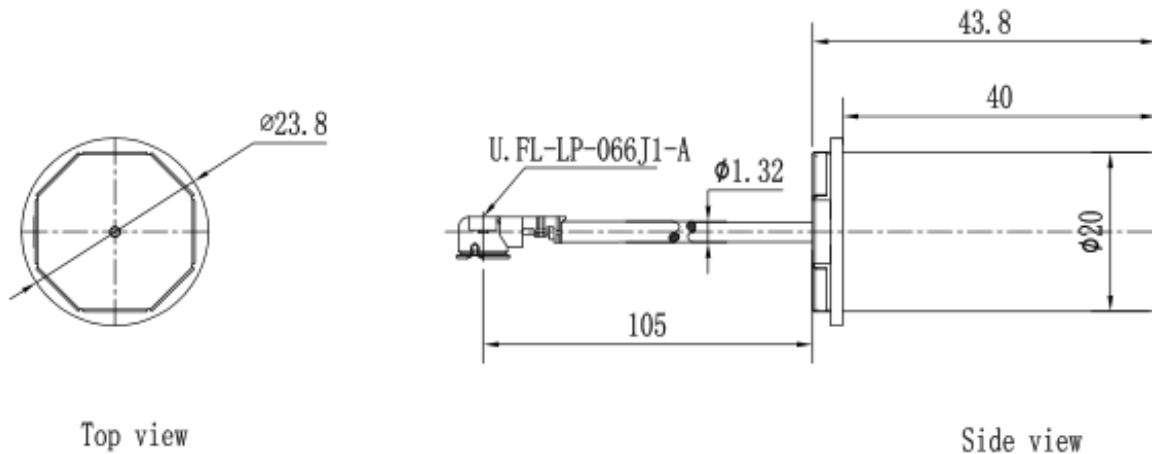
The HX-CH6015A is the smallest antenna among the Harxon helix antenna family. Only 7g weight can be perfect built-in UAV system and other mobile devices. The antenna includes a short U.FL pigtail connector for easy installation.

This antenna requires the sale of service ahead of the sale of antennas, such as feasibility studies, prototyping, electromagnetic interference and chamber measurement.

Technical Specifications

Antenna Specification	
Frequency Range	GPS L1/L2 GLONASS L1/L2 BDS B1/B2
Impedance	50ohm
Polarization	RHCP
Axial Ratio	≤3dB
Azimuth Coverage	360°
Output VSWR	≤2.0
Peak Gain	2dBi
LNA Specification	
LNA Gain	33±2dB

Noise Figure	≤2.0dB
Output VSWR	≤2.0
Operation Voltage	3~12VDC
Operation Current	≤55mA
Ripple	±2dB
Mechanical Specification	
Dimension	φ 23.8*43.8mm
Connector	U.FL-LP-006J1-A
Weight	7g
Environment Spec	
Storage /Operating Temp	-40°C~+70°C
Humidity	95% No-condensing



Dimension (mm)

Harxon Corporation

www.harxon.com sales@harxon.com
Tel: +86 0755-26989948 Fax: +86 0755-26989994



HARXON AUTHORIZED DISTRIBUTION PARTNER